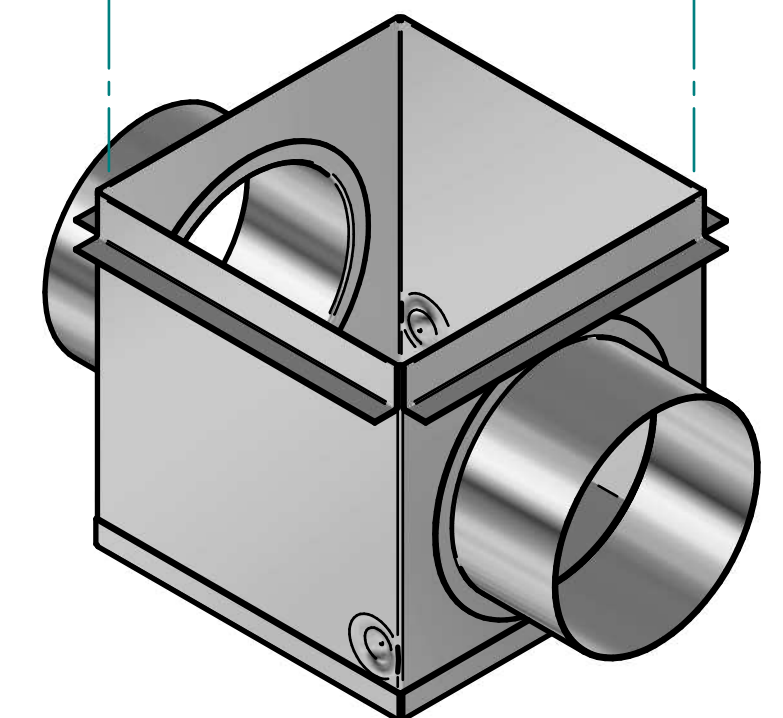
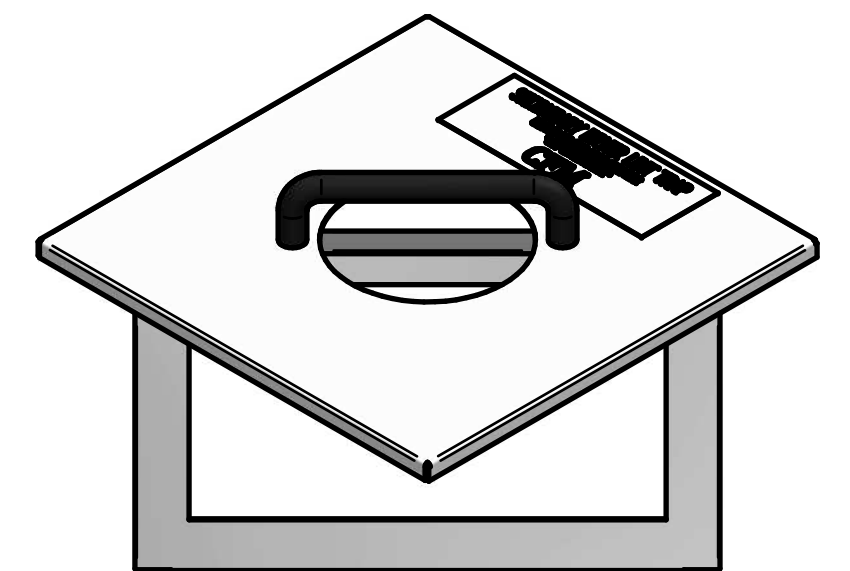
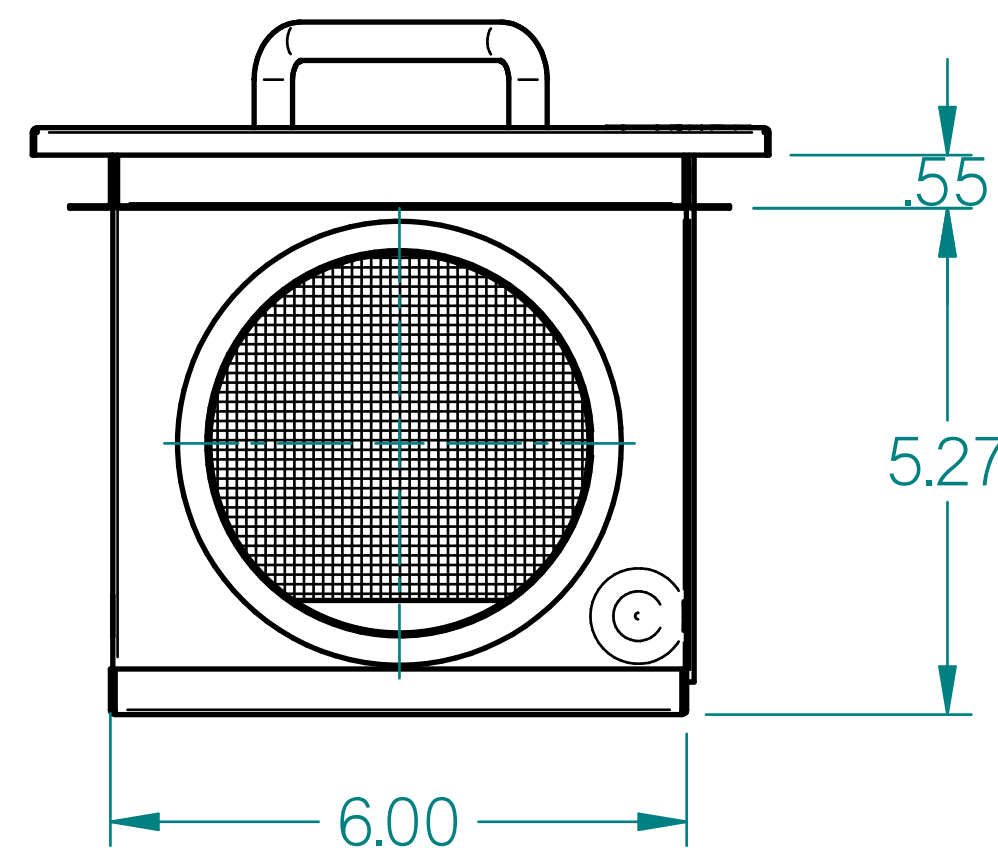
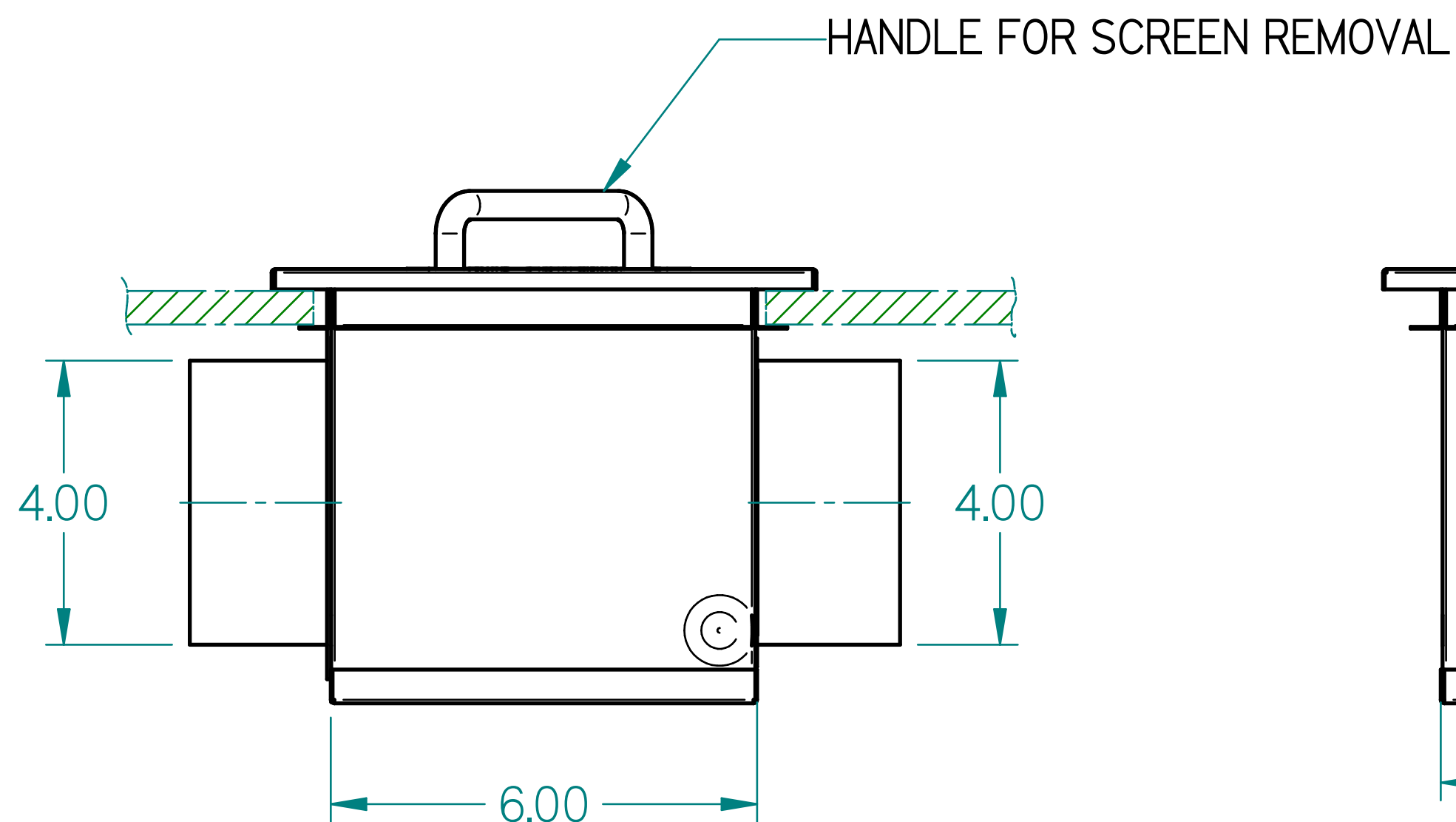


PICTORIAL LAYOUT



REMOVE SCREEN FOR CLEANING



DIMENSIONS SUBJECT TO CHANGE WITHOUT NOTICE.
 DRAWING NOT TO BE USED FOR CONSTRUCTION.

		CFM Better Airflow By Design	
		DRYER LINT TRAP OUTLINE	
		CFM PART # LT100 FOR 4" DUCTING	
REV.	DATE	BY	J. E. EVANS 17 DEC. 2014 LT100 LINT TRAP SUBMITTAL