

AIRFLOW

CORES

Modular (2 section) patented aluminum heat recovery cores arranged for efficient counter-flow ventilation

MOTORS

Two PSC, 3 speed single shafted, 120 VAC, 4.5 Amps each (9 total on high speed). HP - 1/4, 1450 RPM. Watts - total on high speed - 1032. MCA: 11.3 MOP: 15

FILTERS

Washable air filters in exhaust and supply air streams.

BLOWERS

Slide easily in / out of unit. Centrifugal type rated at 700 cfm (329 L/s) free air delivery. Each air stream has one single shafted motor driving a centrifugal blower.

CONNECTION DUCT SIZES

Five - 14" x 8" H (356 mm x 200 mm H).

MOUNTING

Unit to be set on support brackets hung by threaded rod type apparatus. (brackets and rod not provided.)

CASE

Unit has front and back access doors and electrical panel can be switched to either side giving installer flexibility in duct direction. 20 gauge prepainted galvanized steel (G60) for superior corrosion resistance. Insulated with elastomeric insulation where required to prevent exterior condensation, mold and energy loss.

Drain connections; two - 1/2" (12mm) O.D.

ELECTRONICS

Integrated microprocessor circuit board. Built-in interlock contacts.

DEFROST

Supply bypass routes indoor air to defrost core.

WEIGHT 260 LBS (118 KG) **SHIPPING WEIGHT** 310 LBS. (141 KG)

INCLUDED CONTROL

99-GDH01 Airflow Dehumidistat

- Humidity control through adjustable Dehumidistat
- 3 wire connection; 20 gauge wire (minimum)

DIMENSIONS inches (mm)

NOTE:

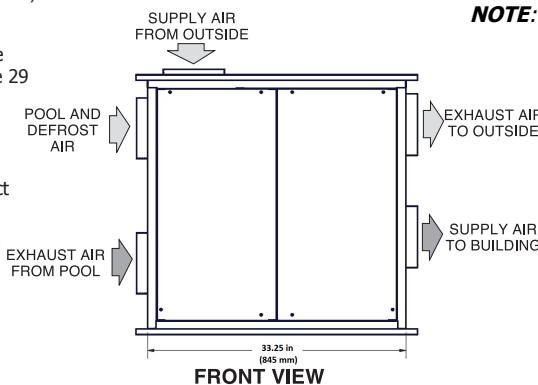
The AIR750-P model may easily be reversed in the field. Refer to page 29 for installation instructions.

All units conform to CSA and UL standards

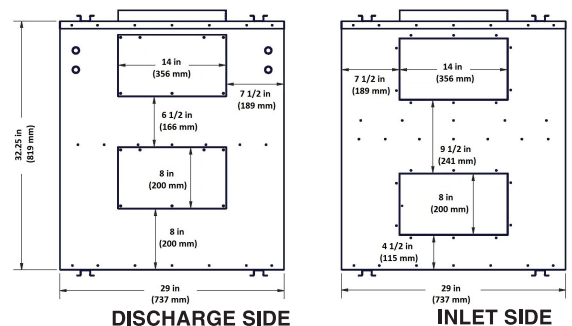
NOTE: All specifications are subject to change without notice.

WARRANTY

Units carry a 15 year warranty on the HRV core and a 2 year replacement parts warranty.

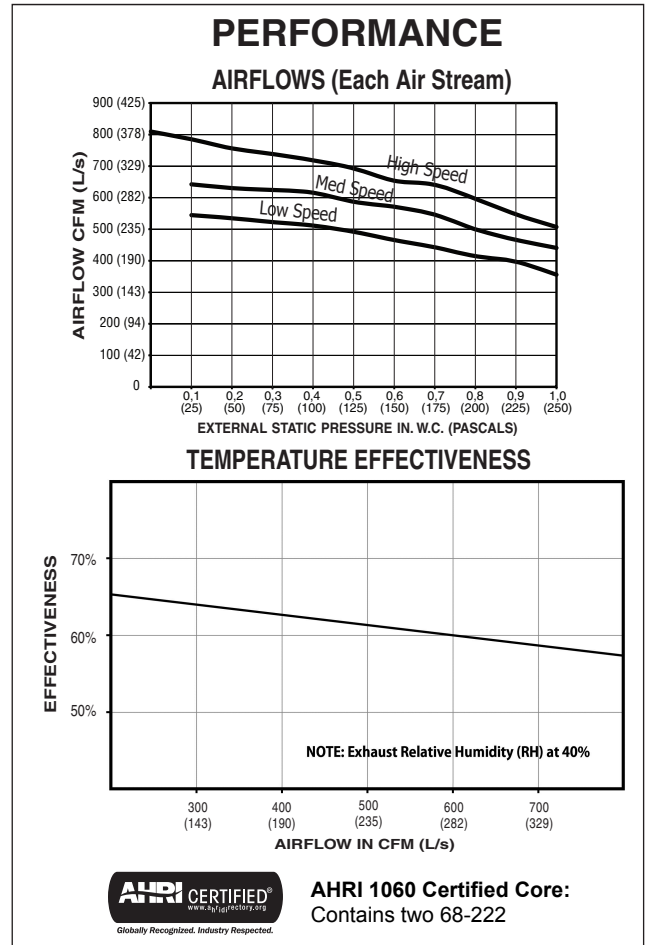


NOTE: Service clearance of 30 in. (760 mm) from front access doors



Date: _____
 Tag: _____ Qty: _____
 Project: _____
 Engineer: _____

Contractor: _____
 Supplier: _____
 Quote#: _____
 Submitted by: _____



CONTROL OPTIONS

99-500 3 Speed Control

- 3 Speed Fan setting (Low/Medium/High)
- 4 wire connection; 20 gauge wire (minimum)

FILTER OPTIONS

99-65-183 2" pleated MERV 8 filter for fresh air stream