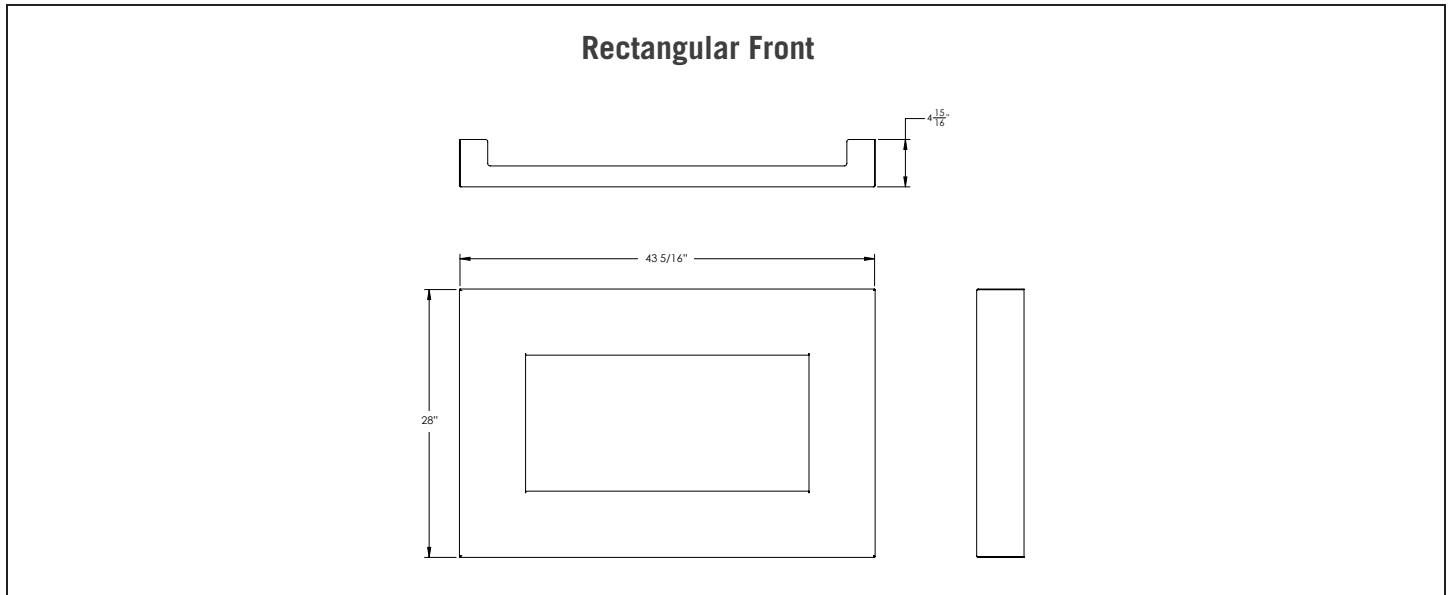


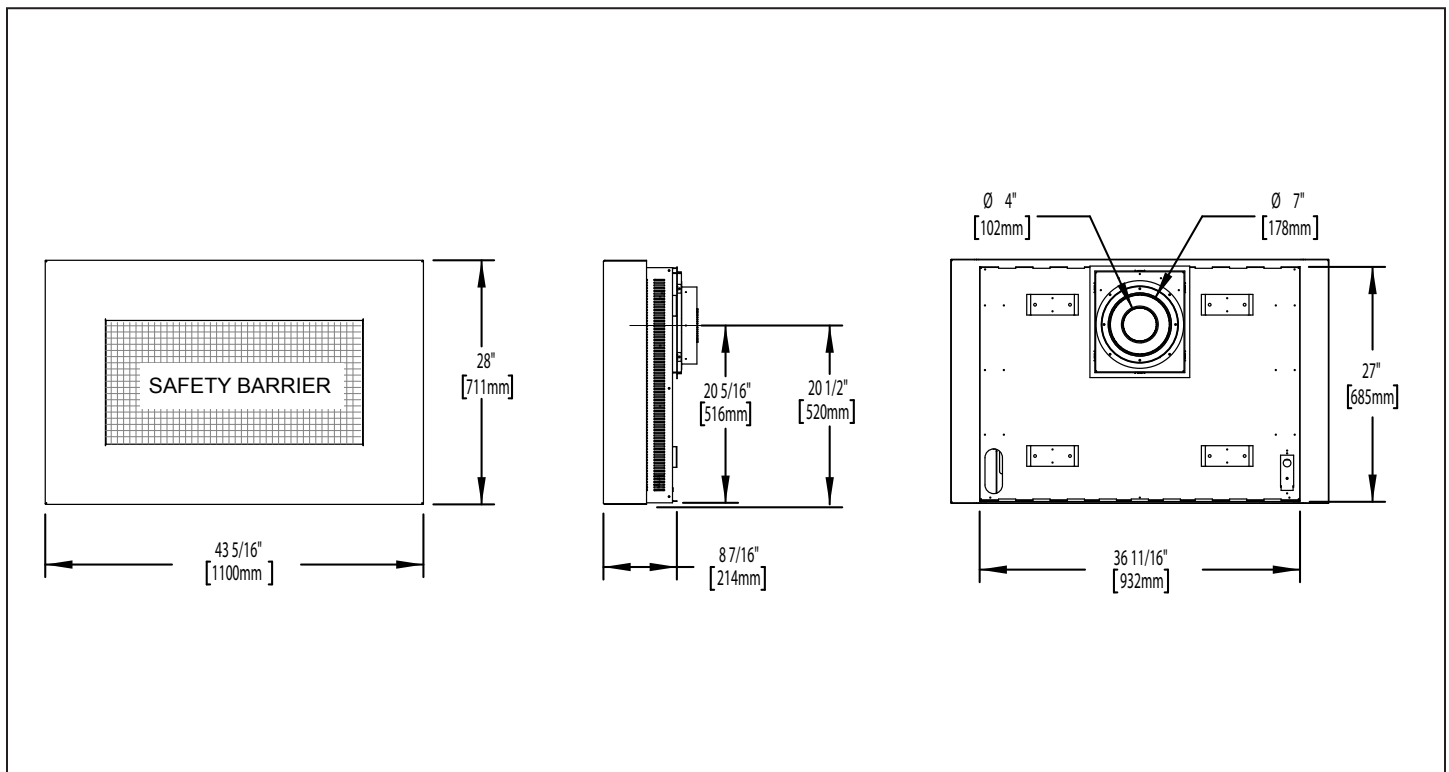
## Specifications

| Model              | BTU    | Width   | Height | Depth  | Viewing Area    |
|--------------------|--------|---------|--------|--------|-----------------|
|                    |        | Actual  | Actual | Actual |                 |
| CWHD31 Rectangular | 20,000 | 43 5/16 | 28     | 8 7/16 | 16 1/2 x 31 1/2 |

## Front Options



## Dimensions



## Clearances

### Minimum Fireplace Clearances

The front trims for the CWHD31 are different sizes. See "dimensions" section of the manual prior to mounting the appliance.

#### MINIMUM CLEARANCE TO COMBUSTIBLE CONSTRUCTION FROM APPLIANCE AND VENT SURFACES:

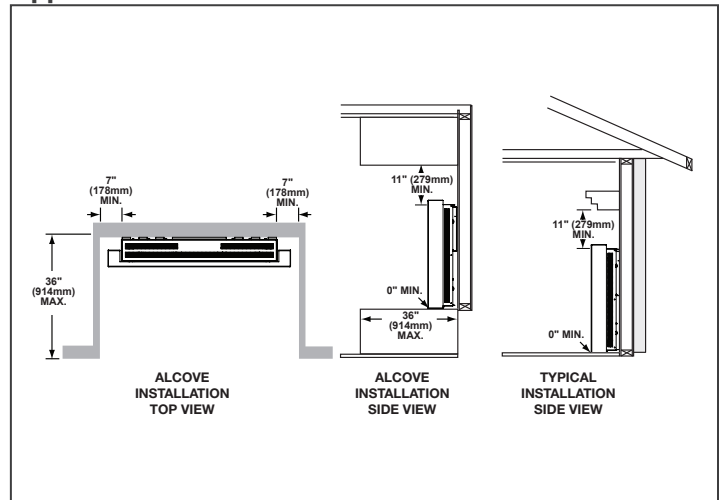
- 0" (0mm) to wall mounting plate
- 1" (25mm) to bottom and sides of vent pipe\*
- 2" (51mm) to top of vent pipe\*

#### MINIMUM CLEARANCES TO COMBUSTIBLES (FROM THE APPLIANCE):

- 11" (279mm) to top
- 7" (178mm) to sides
- 0" (0mm) to bottom
- 0" (0mm) to rear

\* A minimum of 1" (25mm) all around the vent pipe on all vertical runs to combustibles is required.

### Appliance Location



### Vent Terminal Clearances

**Covered balcony applications ††**

$Q_{MIN} = 3 \text{ feet (0.9m)}$     $R_{MAX} = 2 \times Q_{ACTUAL}$     $R_{MAX} \leq 15 \text{ feet (4.6m)}$

**note:**  
Wall terminals are for illustration purposes only. Size and shapes may vary.

|          | INSTALLATIONS              |                              |  |
|----------|----------------------------|------------------------------|--|
|          | CANADA                     | U.S.A.                       |  |
| <b>A</b> | 12" (30.5cm)               | 12" (30.5cm)                 | Clearance above grade, veranda porch, deck or balcony.   |
| <b>B</b> | 12" (30.5cm) <sup>Δ</sup>  | 9" (229mm) <sup>Δ</sup>      | Clearance to windows or doors that open.   |
| <b>C</b> | 12" (30.5cm) <sup>*</sup>  | 12" (30.5cm) <sup>*</sup>    | Clearance to permanently closed windows.   |
| <b>D</b> | 18" (45.7cm) <sup>**</sup> | 18" (45.7cm) <sup>**</sup>   | Vertical clearance to ventilated soffits located above the terminal within a horizontal distance of 2' (0.6m) from the center line of the terminal.                |
| <b>E</b> | 12" (30.5cm) <sup>**</sup> | 12" (30.5cm) <sup>**</sup>   | Clearance to unventilated soffit.  |
| <b>F</b> | 0" (0mm)                   | 0" (0mm)                     | Clearance to an outside corner wall.   |
| <b>G</b> | 0" (0mm) <sup>***</sup>    | 0" (0mm) <sup>***</sup>      | Clearance to an inside <b>non-combustible</b> corner wall or protruding <b>non-combustible</b> obstructions (chimney, etc.).                                       |
|          | 2" (51mm) <sup>***</sup>   | 2" (51mm) <sup>***</sup>     | Clearance to an inside <b>combustible</b> corner wall or protruding <b>combustible</b> obstructions (vent chase, etc.).  |
| <b>H</b> | 3' (0.9m)                  | 3' (0.9m) <sup>****</sup>    | Clearance to each side of the center line extended above the meter / regulator assembly to a maximum vertical distance of 15' (4.6m).                              |
| <b>I</b> | 3' (0.9m)                  | 3' (0.9m) <sup>****</sup>    | Clearance to a service regulator vent outlet.  |
| <b>J</b> | 12" (30.5cm)               | 9" (229mm)                   | Clearance to a non-mechanical air supply inlet to the building or a combustion air inlet to any other appliance.   |
| <b>K</b> | 6" (1.8m)                  | 3" (0.9m) †                  | Clearance to a mechanical air supply inlet.  |
| <b>L</b> | 7' (2.1m) †                | 7' (2.1m) †††                | Clearance above a paved sidewalk or paved driveway located on public property.   |
| <b>M</b> | 12" (30.5cm)††             | 12" (30.5cm) <sup>****</sup> | Clearance under a veranda, porch or deck.  |
| <b>N</b> | 16" (40.6cm)               | 16" (40.6cm)                 | Clearance above the roof.  |
| <b>O</b> | 2' (0.6m)†                 | 2' (0.6m) †                  | Clearance from an adjacent wall including neighbouring buildings.  |
| <b>P</b> | 8' (2.4m)                  | 8' (2.4m)                    | Roof must be <b>non-combustible</b> without openings.  |
| <b>Q</b> | 3' (0.9m)                  | 3' (0.9m)                    | See chart for wider wall dimensions.   |
| <b>R</b> | 6" (1.8m)                  | 6" (1.8m)                    | See chart for deeper wall dimensions. The terminal shall not be installed on any wall that has an opening between the terminal and the open side of the structure. |
| <b>S</b> | 12" (30.5cm)               | 12" (30.5cm)                 | Clearance under a covered balcony  |

Δ The terminal shall not be located less than 6 feet under a window that opens on a horizontal plane in a structure with three walls and a roof.

• Recommended to prevent condensation on windows and thermal breakage

• It is recommended to use a heat shield and to maximize the distance to vinyl clad soffits.

• The perspective requires a minimum 18 inches clearance from an inside corner.

••• This is a recommended distance. For additional requirements, check local codes.

† 3 feet above if within 10 feet horizontally.

† A vent shall not terminate where it may cause hazardous frost or ice accumulations on adjacent property surfaces.

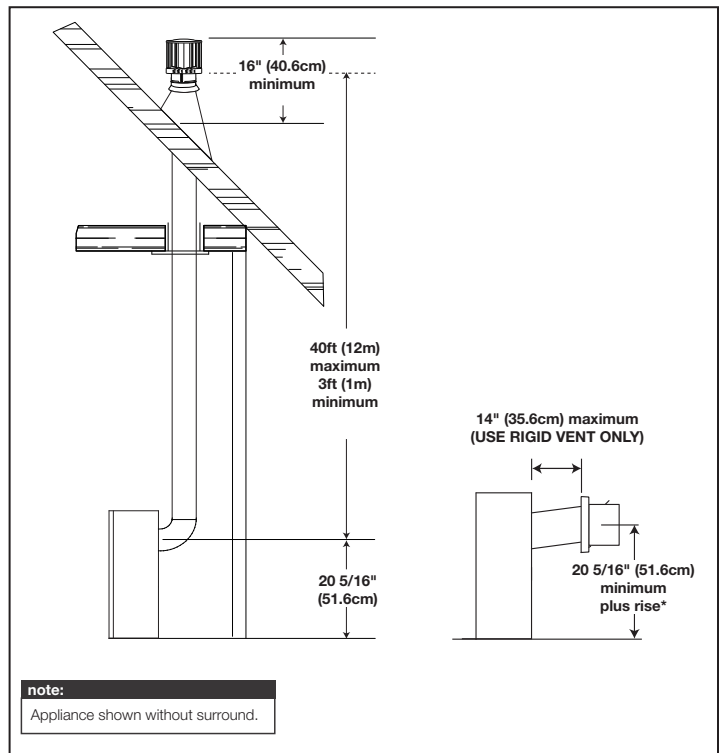
†† Permitted only if the veranda, porch, or deck is fully open on a minimum of two sides beneath the floor.

†† Recommended to prevent recirculation of exhaust products. For additional requirements, check local codes.

††† Permitted only if the balcony is fully open on a minimum of one side.

**note:**  
Clearances are to be in accordance with local installation codes and the requirements of the gas supplier. In their absence, clearances are to be as listed above and are based on national codes.

### Minimum Vertical Vent Rise



**Product information provided is not complete and is subject to change without notice. Please consult the installation manual for the most up to date installation information.**